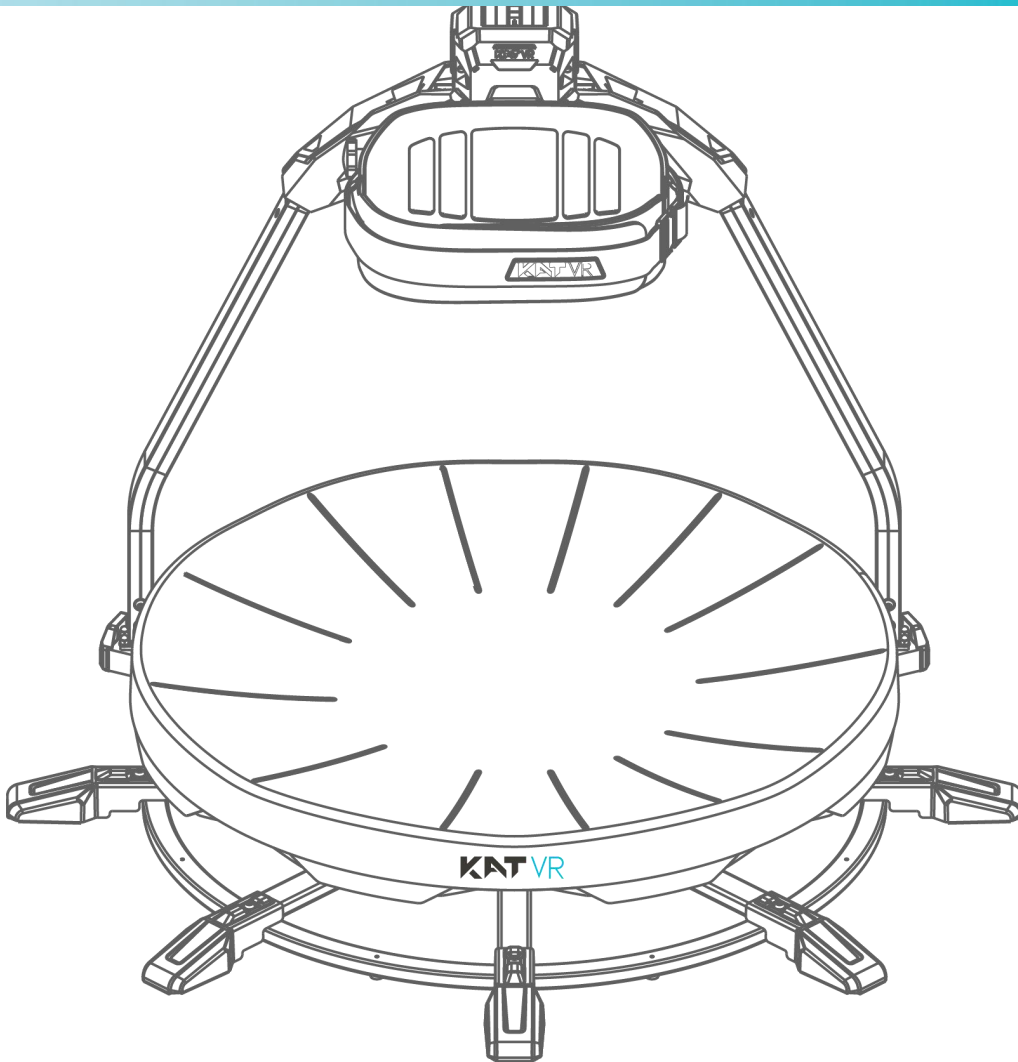


KAT VR



KAT Walk Coord 2 Core

OWNER'S MANUAL



This product is for personal use ONLY. Any form of commercial application is prohibited.

Acknowledgement

Thank you for purchasing our product!

Please, read this instruction manual carefully and keep it safely stored for future use.

KATVR reserves the right to interpret and modify the manual. Any amendments, updates and interpretations to the manual will be published on the KATVR official website.

Read this manual in its entirety. This manual contains important safety instructions. **FAILURE TO FOLLOW INSTRUCTIONS COULD RESULT IN SERIOUS INJURY OR DEATH.**

INDEX

| | |
|--|----|
| Foreword | 2 |
| First & Foremost | 2 |
| Declaration | 2 |
| WARNING | 3 |
| Health Warnings | 6 |
| Product Introduction | 7 |
| Product description | 7 |
| Product Appearance | 8 |
| KAT Walk Coord 2 Core Dedicated Shoes Introduction | 8 |
| KAT Dedicated shoes | 8 |
| Foot Sensor Introduction | 9 |
| Inner sensor Introduction | 9 |
| Product Parameter | 10 |
| Precautions | 11 |
| Tools preparation | 11 |
| Finding a suitable place | 11 |
| Unpacking method | 10 |
| Packing List | 13 |
| Installation of the HMD Cable Management (Giveaway) : | 15 |
| First Use of KAT Walk Coord 2 Core | 15 |
| Sensor Installation | 15 |
| Friction level Introduction | 16 |
| Anti-Slip Lock Introduction: | 16 |
| Entering the Platform | 17 |
| How to do the "micro-operation" | 22 |
| How to trigger the cruise mode | 22 |
| Product use prohibition | 21 |
| Disassembly procedure | 22 |
| Component Maintenance | 22 |
| Contact Information | 23 |

First & Foremost

This owner's manual contains all the information you need to install your KAT Walk Coord 2 Core. The following symbols are used to indicate important information and instructions for the device set-up process:



This symbol asks you to take certain precautions in the installation and/or operation of the product. It usually precedes instructions or safety information necessary to safely install or operate the product.



This symbol points to hints and information you may find helpful in installing and enjoying your product.



This symbol points to important product specification and safety information.



This symbol is a safety warning and precedes information designed to ensure your personal safety and avoid potential risks.

Declaration

KAT VR It is the trademark of Hangzhou Virtual and Reality Technology Co., Ltd. All trademarks, product identification and trade names of other companies appearing in this manual belong to their respective owners. No parts or content of this manual may be copied or reproduced without the written permission of the company, and may not be shared in any form or used for any commercial or profitable purpose.

The contents of this manual are subject to change due to product upgrades or other reasons. Our company reserves the right to modify the contents of this manual without any notice or prompt. This manual is intended as a guide only. We do our best to provide accurate information in this manual but we do not guarantee that the contents of this manual are completely error free. Statements, information, and recommendations provided in this manual do not constitute any warranty, express or implied.



For the latest information, please feel free to check out our official website:

<http://www.kat-vr.com>

WARNING

To avoid injury or damage to the product, read and follow all the assembly and operation instructions before using KAT Walk Coord 2 Core.

- This device is intended for use by healthy people aged 14 to 60, who are between 1.55m/ 5'1" and 2m/6'7" of height (recommended 1.60m/ 5'3" to 1.95m/6'5") and weight below 130kg (286 lbs.). Do not use the KAT Walk Coord 2 Core if you do not meet the age, height, or weight requirements, or if your physical condition does not allow for moderate to intense physical activity. If you are uncertain of your health condition, please consult your doctor prior to using this device. Use of the device for more than 1 hour without a break is not recommended.
- The device has been designed specifically for personal VR entertainment . Use for any other purpose, including but not limited to medical rehabilitation is strictly prohibited.
- It is strictly forbidden to insert fingers, hands or any body part into any moving part(s) and openings.
- Please use the device according to the corresponding instructions or under the guidance of a professional to avoid injuries
- Pregnant women or those with epilepsy, cardiopulmonary diseases, eye diseases, mental illness, anemia, people undergoing postoperative recovery and people with any physical or limb diseases, especially lower limb diseases are strictly prohibited from using this device
- WARNING - This product is not intended for children under the age of 14. The product SHOULD NOT be stored in a room that children under the age of 14 or pets may access without supervision. Any spectators should keep a distance of at least 3 feet or 1 meter while the product is in operation.
- It is the owner's responsibility to follow installation and safety instructions. Failure to follow instructions may result in product instability and/or risk serious bodily injury or death to users, bystanders, children, or pets.
- Always check the device before use to confirm that it is in a normal state without cracks, scratches, bumps, bends, oddly moving parts or other signs of wear and tear. Check all connections and moving parts to ensure that the nuts, bolts, and other joint structures are tightly fastened.
- The product base is slippery. When stepping on and off, make sure the anti-slip lock on the

shoe sole is ENABLED. Equip a pair of kneepads and step onto the platform, Hold the back support plate to keep balance. Before use,ensure the safety harness is tightly fastened according to the instructions in this manual. Do not use the device with the safety belts unfastened. When using the device, do not try to purposely reach beyond the product base with your foot.

- Be sure to read and follow all the product instructions and warnings of your VR Headset.
- Choking hazard: Do not leave small components that pose suffocation hazard within the reach of children and pets.
- Placement risks: Do not place this device in the following locations:
 - (1) Outdoor with direct exposure to the sunlight
 - (2) Inclined or unstable surfaces
 - (3) Exhibition booths made of glass or those that are incapable of meeting the weight support requirements:
 - (4) Near firefighting equipment or safety exit, etc.
- If you need to change the location after completing the assembly and installation, be sure to disassemble the device in strict accordance with the components order, use the same material as the original packaging to wrap the device, and choose a high-quality logistics or handling company for the device transportation. Otherwise, the product may be prone to damage.
- Keep the device safely away from liquids or containers holding liquids and keep it dry at all times.
- Keep the device safely away from strong magnetic items, which may affect the use of the product.
- Do not place the device and its other components near fire or heat sources, nor leave it directly exposed to the sun.
- Do not insert items into any openings of the device.
- Always turn off the power of any related equipment before unplugging the device.Avoid suddenly cutting off the power supply to avoid short circuits. Always disconnect the device before thunderstorm comes.When disconnecting the device, always pull the USB connector and not the cord.
- Radio Frequency Interference: This product might emit radio waves that might interfere with the operation of nearby electronic equipment. If you are wearing a pacemaker or any

other implantable medical device, consult your doctor or your medical device manufacturer before using the product. In order to minimize radio frequency interference, use only accessories approved by the original manufacturer. Do not use at the same location, or together with any other antenna or transmitter.



This device has been evaluated and proven to meet the general RF exposure requirements. The device can be used in portable exposure conditions without restriction.



FCC STATEMENT:

Please take attention that changes or modification not expressly approved by the party responsible for compliance could void the user's authority to operate the equipment.

This device complies with Part 15 of the FCC Rules. Operation is subject to the following two conditions:

- (1) This device may not cause harmful interference.
- (2) This device must accept any interference received, including interference that may cause undesired operation.

CAN ICES-3 (B)/NMB-3(B).



IC STATEMENT:

This device complies with Industry Canada licence-exempt RSS standard(s). Operation is subject to the following two conditions:

- (1) this device may not cause interference, and
- (2) this device must accept any interference, including interference that may cause undesired operation of the device.

Le présent appareil est conforme aux CNR d'Industrie Canada applicables aux appareils radioexempts de licence. L'exploitation est autorisée aux deux conditions suivantes:

- (1) l'appareil ne doit pas produire de brouillage, et
- (2) l'utilisateur de l'appareil doit accepter tout brouillage radioélectrique subi, même si le brouillage est susceptible d'en compromettre le fonctionnement.



CAUTIONS

POWER SUPPLY

The power source should meet limited power source or PS2 requirements according to IEC 60950-1 or IEC 62368-1 standard. Refer to the device label for the standard power supply.

Please make sure your power supply matches with your device. Use a power adapter provided by qualified manufacturers. It is recommended to provide an independent power adapter for each device as adapter overload may cause over-heating or a fire hazard.

BATTERY

CAUTION: Risk of explosion if the battery is replaced by an incorrect type.

Improper replacement of the battery with an incorrect type may defeat a safeguard (for example, in the case of some lithium battery types). Do not dispose of the battery into fire or a hot oven, or mechanically crush or cut the battery, which may result in an explosion.

Do not leave the battery in an extremely high temperature surrounding environment, which may result in an explosion or the leakage of flammable liquid or gas.

Do not subject the battery to extremely low air pressure, which may result in an explosion or the leakage of flammable liquid or gas. Dispose of used batteries according to the instructions.



Violation of the below safety instructions or any other misconduct may cause serious bodily injury, death, or damage to the product, for which KAT VR will not be held responsible.

Health Warnings

The following health warnings will be updated regularly to ensure accuracy and completeness:

- Before use, it is required to carefully read the product manual and follow all the given instructions. Incorrect set-up of the device may pose safety risks. Pregnant women or those with epilepsy, cardiopulmonary diseases, eye diseases, mental illnesses, anemia, and people undergoing postoperative recovery are strictly prohibited from using this device.
- Due to different personal health predispositions, and in order to avoid physical discomfort such as dazzling, dizziness or headache, we do not recommend prolonged use of the

device. If you experience any discomfort, you should immediately stop using the device and avoid involvement into any physical activities that may pose safety hazards until the symptoms disappear completely. If the symptoms persist for a longer period of time, do not use the device until consulting a physician.

- Users with history of epilepsy or photosensitive epilepsy, are required to consult a physician before viewing VR content which may include flashing light sources and rapid image sequences.
- During the use of this device by a child, an adult guardian should always be present to ensure that they do not experience any of the above-mentioned discomforts. If it is your first time using this equipment, it is advised to begin with shorter periods of use and gradually increase the length of use over time.
- In case of fatigue, hangover, headache, earache, or when under the influence of alcohol or drugs, emotional distress or anxiety, it is strictly forbidden to use the device, or the condition could be aggravated.
- If you experience the following symptoms when using the device, stop doing it immediately:
 - a. Seizures, loss of consciousness;
 - b. Eye fatigue, eye muscle twitching, blurriness or other visual abnormalities;
 - c. Body balance or hand-eye coordination problems;
 - d. Lethargy, nausea, excessive sweating, or any symptoms indicating motion sickness.
- Symptoms caused by virtual reality may persist and become more apparent a few hours after use. For your personal safety, do not drive or operate machinery, engage in any other activities that are visually or physically demanding or require body balance and hand-eye coordination, until full recovery.

Product Introduction

Product description

KAT Walk Coord 2 Core embraces the essence of gaming VR treadmill series, combining maximum capability of the core functions with a compact design at a minimum cost. More accessible than ever. KAT Walk Coord 2 Core brings VR gamers into an immersive and physically active VR adventure in an approachable way.

Product Appearance




KAT Walk Coord 2 Core Dedicated Shoes Introduction

KAT Dedicated shoes

The KAT Walk Coord 2 Core dedicated shoes are special, friction-customizable footwear designed to be used with the KAT Walk Coord 2 Core. Offering adjustability to personal preferences and walking habits of different users, when used in combination with the low-friction walking platform, the dedicated shoes ensure natural foot and leg movement, and provide a highly immersive VR Walking experience.

The dedicated shoes contain two layers of insoles, the upper layer is a sports functional insole, and the lower layer is a size-adjustment insole. We recommend that you fit your feet firmly into the shoes and tightly tie the shoelaces for the best experience. If you feel the shoes are too tight, you can remove the size-adjustment insole of the lower layer.

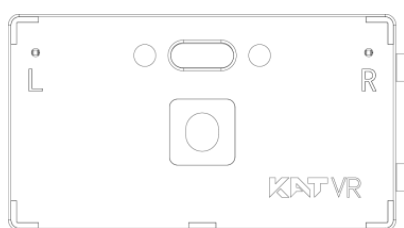
 In order to avoid injuries, always use the dedicated shoes and waist harness according to the instructions. Dedicated shoes are only suitable for use with KAT Walk Coord 2 and it is strictly prohibited to use them in any other situation or for any other purpose. Do not use the

dedicated shoes to walk around your apartment before or after your experience with the C2. Put them on only when getting onto the platform, and take them off immediately after you get off.



Foot Sensor Introduction

The KAT Walk Coord 2 Core Foot Sensors are mounted on the bottom of the dedicated shoes and serve the purpose of translating physical movement into VR to ensure a highly accurate simulation of walking in any directions.



| Foot sensor | |
|-------------|---------------------------|
| Model | WK321 |
| Input | 5V-500mA |
| Battery | 3.7V Li-Ion Polymer 370mA |

Inner sensor Introduction

The KAT Walk Coord 2 Core Inner Sensor is mounted on the front top shell to collect the body direction data and transfer it into the game. The sensor has a direction calibration button for a quick and easy calibration whenever needed.



| Inner sensor | |
|--------------|---------------------------|
| Model | WK322 |
| Input | 5V-500mA |
| Battery | 3.7V Li-Ion Polymer 370mA |

Indication signals of a successfully paired sensor:

1. R LED light indicates the right sensor, and the L LED light indicates the left sensor;
2. LED light status indicators (Note: Battery status will be only displayed after successful sensor pairing and connection);
3. Charging: Flashing Foot Sensor Light / Dimming Inner Sensor Light indicates charging. Charging State Detected: Continuous bright lights and immediately turn to blink at same

frequency (with interval of 0.5s) ;

4. Normal operation: Normal, continuous light. Low battery: Slow, flashing light (3-sec intervals);

5. Unpaired connection: Flashing light (1-sec intervals) ;


6. Pairing: Quick flashing light (0.5-sec intervals) ;

7. Sleeping mode / No power: No light.

Product Parameters

| | |
|-----------------------|--|
| Suitable age | 14-60 years |
| Suitable weight | Below 130kg (286 lbs.) |
| Supported height | 1.55m-2.00m / 5'1" - 6'7" |
| Recommended height | 1.60m-1.95m / 5'3"- 6'5" |
| Product weight | 56kg |
| Base height | 0.230m (9") |
| Squat width | 0.620m(2'1") |
| Product size | 1.250*1.250*1.860m(4'1"*4'1"*6'1") |
| Base diameter | 0.940m (37") |
| Footprint | 1.2 m ² (12.91 Square Feet) |
| Charging time | About 1 hour |
| Battery life | 7hrs |
| Voltage | 110~240V |
| Operating temperature | 0°C~40 °C |
| Working humidity | 20%Rh~85%Rh |
| Working altitude | <2000m |

Product Installation

 Incorrect installation of the KAT Walk Coord 2 Core may lead to safety hazards and result in serious bodily injury or death. Before proceeding with the installation, read carefully the following instructions:

Precautions

Tools preparation


- Before unpacking, prepare your own scissors. Avoid wearing slippers, high heels or other shoes unsuitable for physical work.
- Please, keep in mind that the gross weight of the device may exceed 68 kg. Ensure sufficient help of others to avoid injuries during transportation.

Finding a suitable place

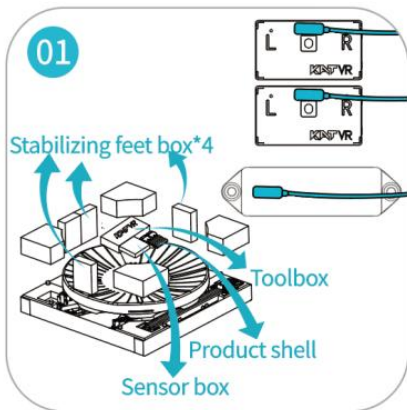
- Place the device in a reasonable distance from your PC to ensure that the USB cable can reach it.
- It is not advised to place the device on smooth surfaces that are easily scratched by metal, e.g wooden or tiled floor.
- Place KAT Walk Coord 2 Core on a carpet or take other measures to protect the floor.
- Ensure there is no furniture or other household items that can be easily knocked within the device vicinity.



1. Wear protective gloves throughout the entire procedure (Free pair included in the toolbox). Place the product on a carpet or take other measures to protect the floor.

2. All screws must be tightened very firmly, especially these marked with: . Incorrect installation of the product may lead to safety hazards, abnormal mechanical noise during use and result in serious bodily injury or worse.

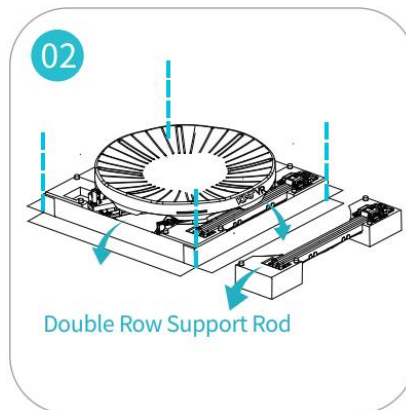
Unpacking method



Unpacking and Charging Sensors

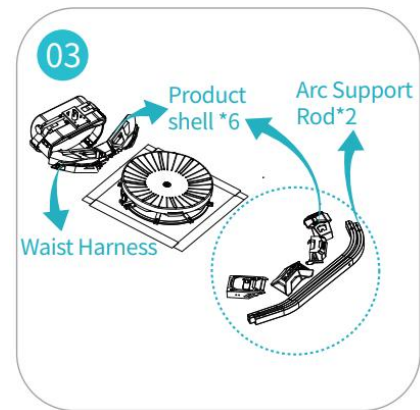
- Take out all the boxes & foam.
- Find sensors in the sensor box and the magnetic charging cable in the toolbox with the logo and charge the sensors to prepare for pairing.

*Charging Light Status:
Shoe Sensor - Flashing;
Inner Sensor - Dimming.



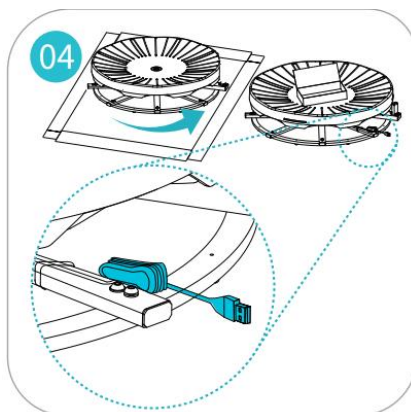
Disassemble the Carton

- Find gloves in the toolbox and wear throughout the entire procedure.
- Cut the corners of the cartons and flip the flat as shown.
- DO NOT cut any of the black ties. Especially under the walking base. Horizontally take out the support rod.



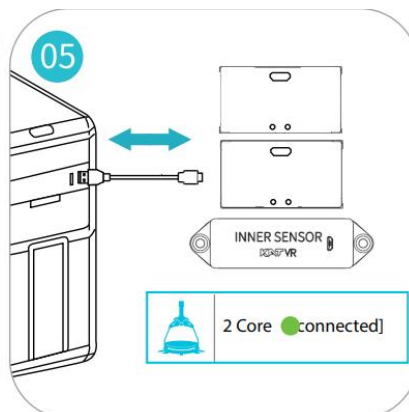
Taking out the Components

- Cut only all the white ties that bind the bubble wrap around the base.
- Slowly and horizontally take out all the components under the base.



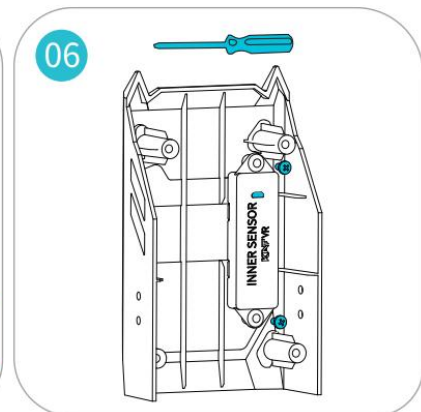
Connecting the Base

- Grab and Lift one side of the base (39kg) and rotate it out from the package. Place it on a flat surface with the cable facing the PC.
- Open the toolbox and place it on the base for easy access.
- Take out the data cable and connect it to the PC USB port.



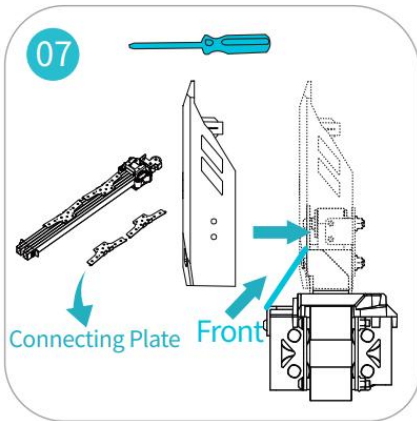
Software Setup

- Download and install KAT Gateway(www.kat-vr.com/pages/support).
- Pair the sensors following software prompts and update to the latest firmware version.
- ⓘ Check the Gateway to ensure the sensors are detected properly as shown.



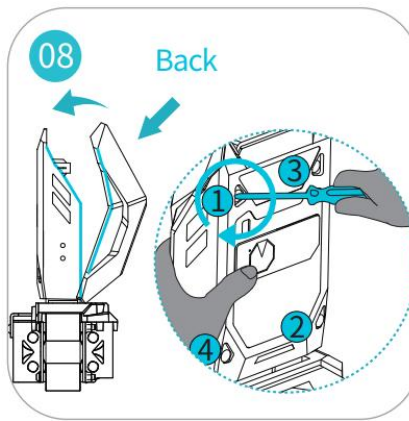
Mounting the Inner Sensor

- Don't begin this step until you have completed the sensor preparation.
- Find the screwdriver and the S thin screws.
- Mount the inner sensor on the top shell with the sensor data port upward (List: No. 7).



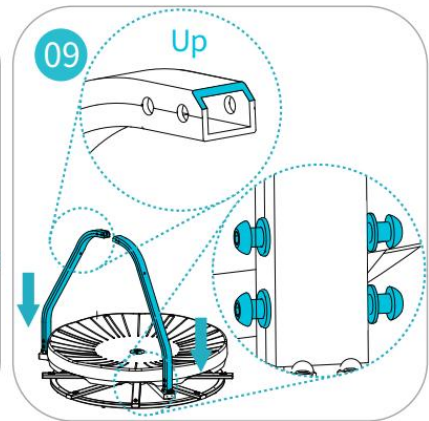
Mounting the Front Top Shell

- Find the double row support rod and put it on the ground.
- Remove the connecting plates from the front of the support rod.
- Cut off the black tie at the top which means the front.
- Find the front top shell, align the side hole as shown, start with 1 screw and install all 4 screws on both sides.



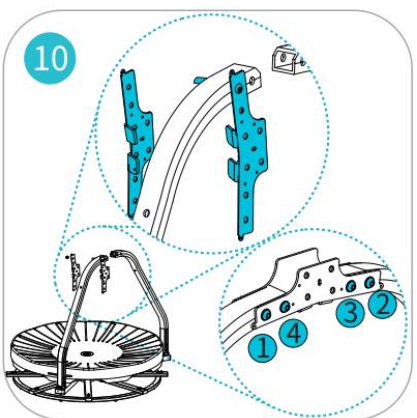
Mounting the Back Top Shell

- Find the back top shell, align it and mount it placing from the top.
- Hold the back shell, start with 1 screw and install 4 screws in sequence as shown.



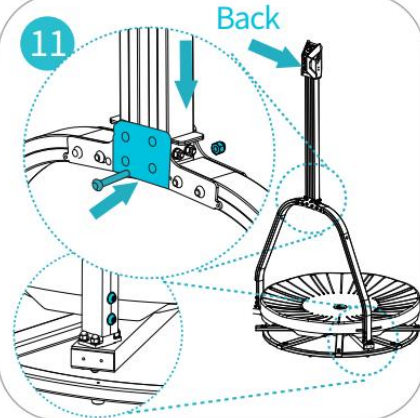
Inserting Arc Support Rods

- Find the M screws and gaskets.
- Insert the arc support rods into the rod openings on the base.
- Lift it up slightly and align the hole to insert 8 screws with gaskets.
- Temporarily, do not tighten.



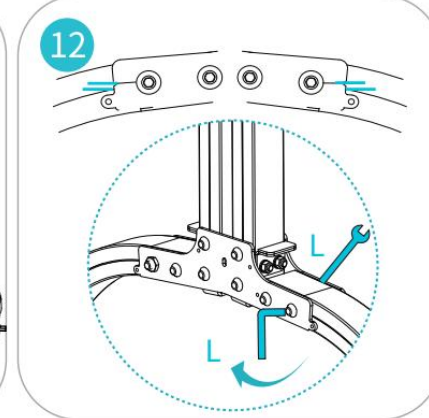
Inserting Connection Plate

- Find and push the L screw through the hole on plate (corner facing inward) and the arc rod.
- Mount the other plate on the L screw from the other side of the arc rod. (with corner facing inward) and install 1 nut.
- Install the other 3 screws/nuts in sequence as shown but do not tighten them yet.



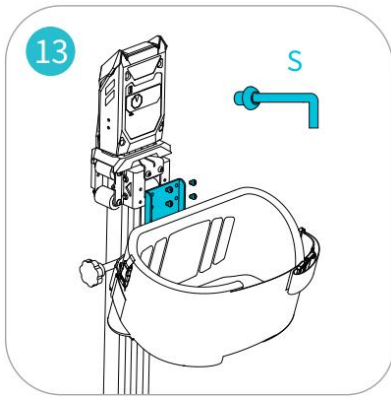
⚠ Installing Support Rod

- Now tighten the previous 8 screws that hold the bottom of the arc supporting rods.
- Find an L screw. Insert the rod vertically into the middle of the connecting plates and hold it. Install 1 L screw and a nut (Mind its direction), then the other 3.



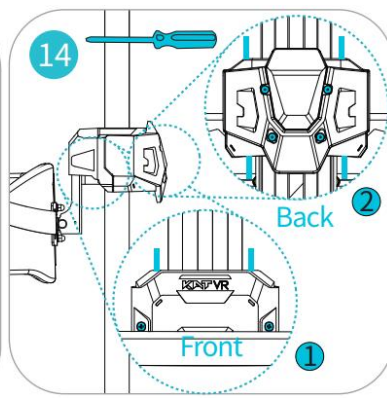
⚠ Check and Tighten

- Ensure both sides are at the same height based on the markings on the connecting plate and that the support rod is vertical.
- Use the L Open-End wrench to secure the nut, and the L wrench to tighten all screws well to avoid safety hazards.



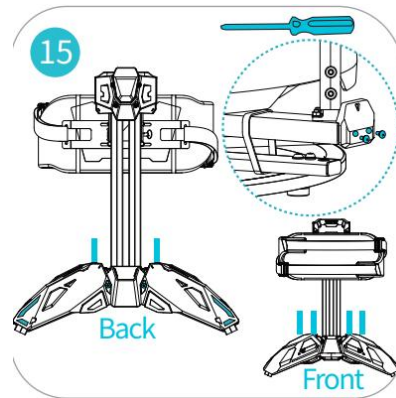
⚠ Installing the Waist Harness

- Find a S screw and the S wrench, combine them first as shown.
- Find the waist harness, install the screw by aligning it with the mounting hole and install it. Then install the other 3 screws.
- Check the 4 nuts on the back of the waist harness and tighten them with the S Open-End wrench.



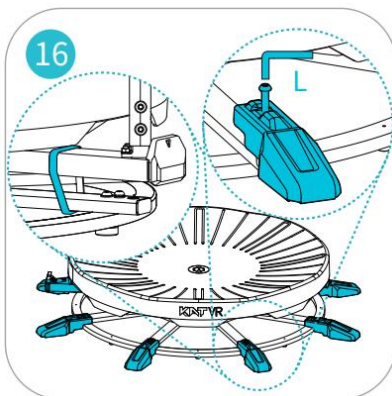
Mounting the Middle Shells

- Find the front and back middle shells (List:No. 8), screwdriver, and a S thin screw.
- Put a screw into the mounting hole of the front shell first, align it with the hole and tighten it. Then install the other screws. Same for the back shell.



Mounting the bottom Shells

- Find the front bottom shell without blue strips for inside, the back bottom shells with blue strips for outside, and the 2 bar shells. (List: No 9, No 10).
- Put a screw into the mounting hole of a shell first, align it with the hole and tighten it. Then install the other screws. Same for the other shells.










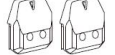

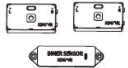






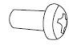
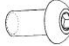







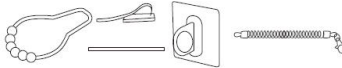




⚠ Check and Tighten All Screws

- Cut the black tie under the base now to free the rotational beam.
- Find the M screws and L wrench.
- Put the 8 base stabilizing feet on the sockets and fix them with screws.
- Note: Double tighten all screws of the product well to avoid safety hazards and abnormal noises .

Packing List

- Before assembly, check carefully whether the quantity and type of tools and accessories is consistent with the below list. If anything is missing, contact our customer service at service@katvr.com before you proceed.
- *It is normal for some components to have wear due to pre-installation.

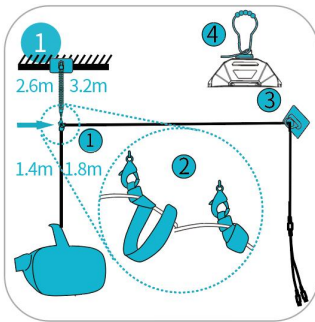
| No. | | Component Name & Picture | Quantity |
|-----|----------------|--|----------|
| 1 | Main Structure | Base  | 1 |
| 2 | | Stabilizing Feet  | 8 |
| 3 | | Double Row Support Rod  | 1 |
| 4 | | Arc Support Rod  | 2 |
| 5 | | Support Rod Connecting Plate  | 2 |
| 6 | | Waist Harness  | 1 |
| 7 | | Product shell : top  | 2 |
| 8 | | Product shell : middle 1  | 2 |
| 9 | | Product shell : middle 2  | 2 |
| 10 | | Product shell : bottom Small differences may occur depending on the device version.  | 2 |
| 11 | | Dedicated Shoes  | 1 |
| 12 | | Set of Sensors  | 1 |
| 13 | Tool | S Wrench (4mm)  | 1 |
| 14 | | L Wrench (5mm)  | 1 |
| 15 | | Two Ends Open-End Wrench  | 1 |

| | | | | |
|----|-----------------------|--------------------------------|---|--|
| 16 | Tool | Two Ends Screwdriver |  | 1 |
| 17 | Accessories | Screws : S Thin Screws (M4×8) |  | 26+2 |
| 18 | | Screws : S Thick Screws (M6×8) |  | 4+2 |
| 19 | | Screws : M Screws (M8×20) |  | 16+2 |
| 20 | | Screws : L Screws (M8×55) |  | 8+2 |
| 21 | | General Gaskets (M8) |  | 8+2 |
| 22 | | L Screws Cap Nut (M8) |  | 8+2 |
| 23 | | 0.5m Micro USB Wire |  | 1 |
| 24 | | Charging Connectors |  | 1 |
| 25 | | USB extension cord |  | 1 |
| 26 | | Gift Set | Cable Management Kit |  |
| 27 | Pair of Gloves | |  | 1 |
| 28 | Maintenance oil | |  | 1 |
| 29 | Sensor Cleaning Brush | |  | 1 |
| 30 | Anti-collision Strip | |  | 1 |

Reminder:

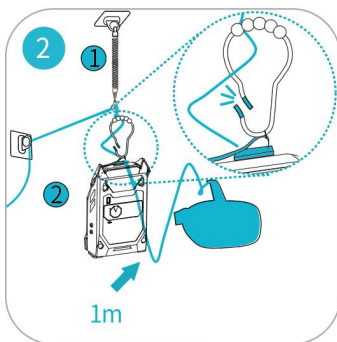
Maintenance oil: The maintenance oil is not for daily use and is prohibited from being used in any other place than the KAT Walk Coord 2 Core. Do not use the maintenance oil for friction adjustment. Method of use: Maintain the base once a month, one drop is enough at a time. Spread evenly on the surface using dry cloth.

Installation of the HMD Cable Management (Giveaway) :



Wired HMD Cable Management

- Locate the HMD cable 1.4~1.8 m (Corresponding to roof height of 2.6m~3.2m) away from the HMD.
- Wrap the Velcro end tightly around the cable (fuzz-side face-in).
- Thread the USB end through the fixing loop.
- Stick the cable management clip to the top of the upper shell.



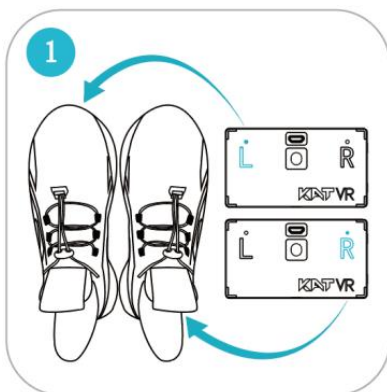
Pull up the Cable

- Peel off and stick the fixing loop on the ceiling directly above the device.
- Stick the fixing loop on the nearby wall (higher than the device) and reconnect the USB to the PC.
- Squeeze to open the cable management clip, and insert the cable into it.
- Leave 1 meter of cable for crouching.

First Use of KAT Walk Coord 2 Core

Sensor Installation

The sensors should be mounted on bottom of the dedicated shoes.



Identify the Sensors

-Identify the paired L sensor (L light on), and find the L Shoe. Vice versa.

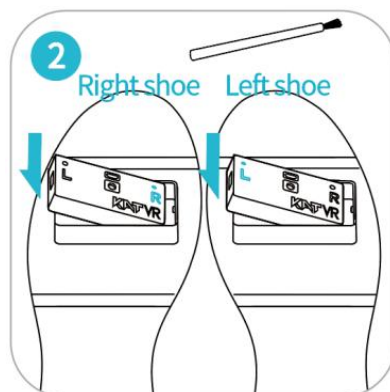
*Light Status:

Off: Sleep/Unpaired/Low Battery

Flashing: Disconnected

Constant: Connected

Flashing: Charging

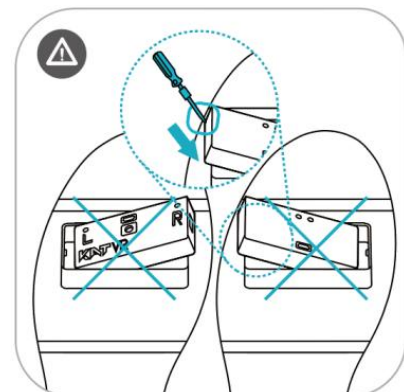


Mounting the Sensors

- Logo-side faces outside. Insert the sensors into the corresponding shoe sockets.

- Incorrect mounting will affect their operation.

-Note: Before using, ensure the surface of the shoe sensor is clean and free of dust. Use a brush to clean it if needed.



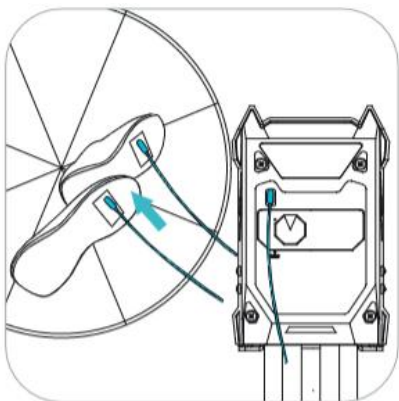
Incorrect Mounting

- The sensors must be installed exactly as shown in the previous step.

- Incorrect mounting of the sensors will affect their operation.

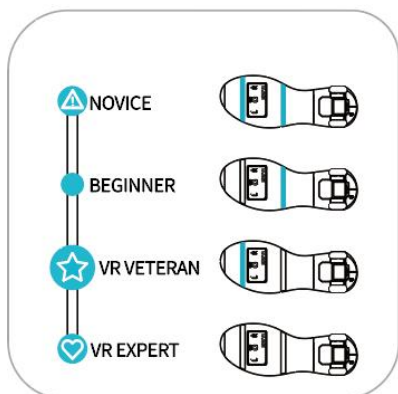
- If needed, use flat-head screwdriver to pry off the sensor.

Charging



- Connect the extension cord if needed. Align the charging connectors well and charge the sensors.
- Check the charging status on Gateway.
- *Charging Light Status:
Shoe Sensor - Flashing
Inner Sensor - Dimming

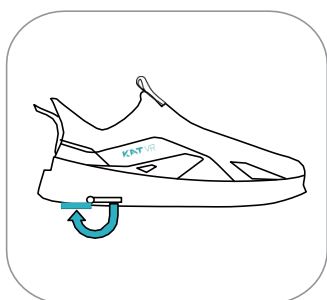
Friction level Introduction



- The shoe friction is adjustable by adding or removing the stripe.
- Recommend "VR VETERAN" for daily use.
- Use "NOVICE" for the first time.
- "VR Expert" is the favorite among users.

Anti-Slip Lock Introduction:


The anti-slip lock is located at the back side of the shoe. When pulled onto the shoe heel, it increases your stability and ensures you can get on and off the platform safely.



Before getting on and off the platform, make sure the anti-slip lock on the shoe sole is enabled.



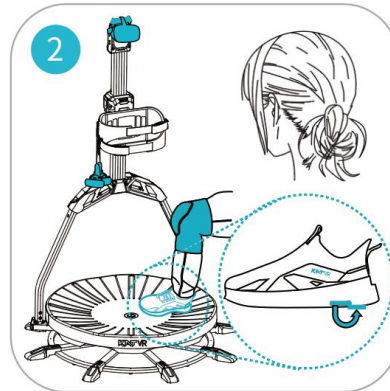
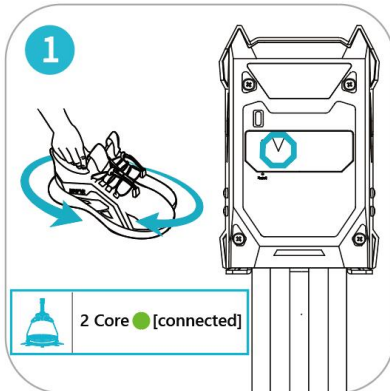
Once you're on the platform with the waist harness securely fastened, you can unlock the anti-slip as shown in the picture below. You can now walk on the platform!

 Note 1: The dedicated shoes must not be used on any other surface than on the C2 Core platform for any other purpose.

Note 2: It is expected that due to the friction force, walking and running may cause scratches on the platform surface. It will not influence the normal operation and performance of the device.

Note 3: Before entering the platform, please start SteamVR and select the mode in KAT Gateway.

Entering the Platform

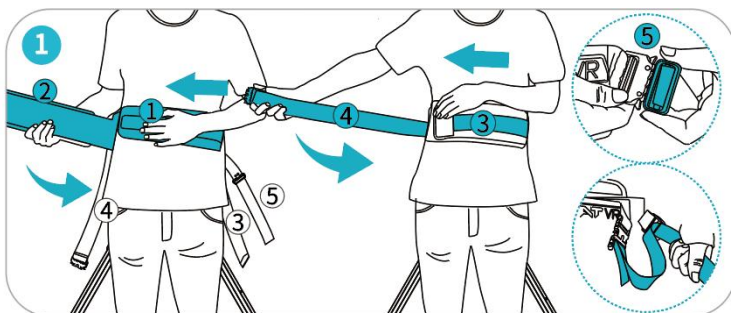


Wake Up the Device Everytime

- Wake up the device everytime before getting on if it entered sleepmode (No movement for more than 30 min, lights off).
- Click the main button and shake the shoes to wake up.
- Check the connection status on Gateway.

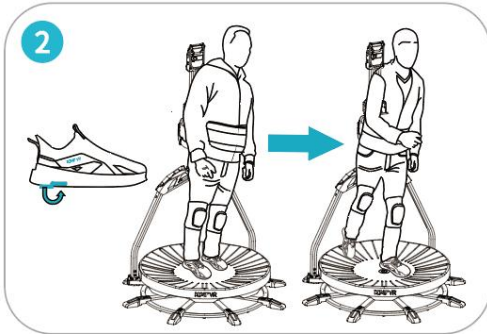
Preparation for Getting On

- Hang the HMD on TOP
- Hang the controllers on the knob.
- Ensure the anti-slip protection lock is enabled and the base surface is clean.
- Tear open all the Harness straps.
- Equip kneepads and step onto the middle of the platform.
- If you have long hair, please tie them up.



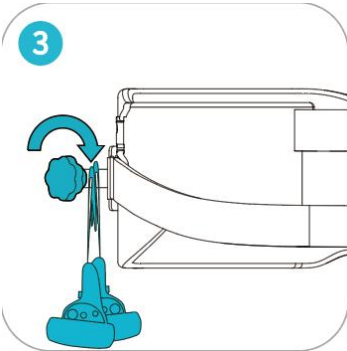
Extend and tighten the Waist Harness

- Adjust the waist harness vertically near the thinnest part of your waist.
- Begin with the left inner belt, extend strongly and stick the Velcro, making the belts closely fit your waist. Repeat for other 3 belts (Sequence as shown) to tighten the harness until it feels in synergy with your body.
- Check the Velcro alignment and ensure fasten the buckle to avoid safety hazard. Adjust the belt length if needed.



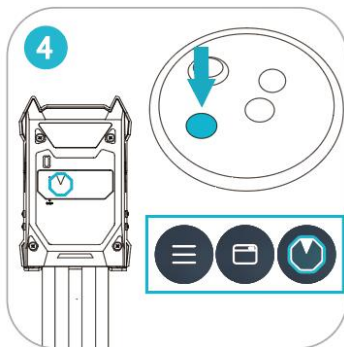
Practice Walking

- Pack up the anti-slip protection lock. - Stand straight with feet at the back of base as shown.
- Lean forward a little bit until you feel the shoe wheels start rolling.
- Take the first small step and slowly continue for practice. - Keep practice for a few minutes until you get used to the simulated gait.



Rotation Adjustment

- When walking, it may occur that the rotational structure tends to turn towards a certain side continuously due to uneven ground or other reasons.
- If it tends to turn clockwise, please stand straight and turn the knob clockwise to adjust until the rotation works properly. Vice versa.



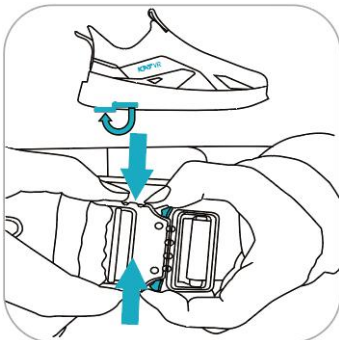
Calibrate Each Time

- Calibrate every time entering a game or any time if the walking direction, jump status or vibration is incorrect.
- Put on the HMD, look forward and calibrate in one of the following ways:

* Quick: Hold controller Menu button or only both triggers until vibration. (Meta Standalone: Hold Oculus button instead.)

Dashboard: Click controller system button, open the Gateway via KAT icon in platform dashboard.

Button: Reach back to click the button.



Getting off

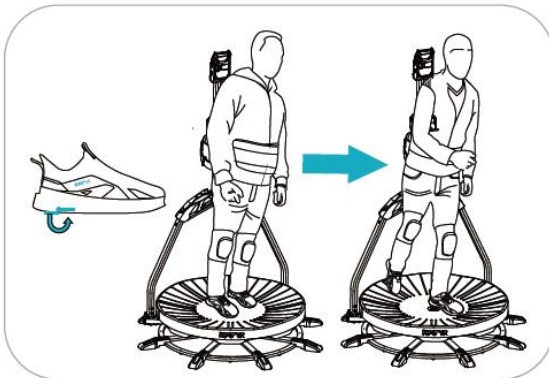
- Enable the anti-slip lock. Press the silver buttons on side of the buckle to open it.
- Tear open all the Harness straps and get off carefully.



Maintain the Device

- Wipe the base with one drop of the maintenance oil once a week.
- If your body collides with the device during play, paste the soft strip where needed.

First Steps – How to walk?

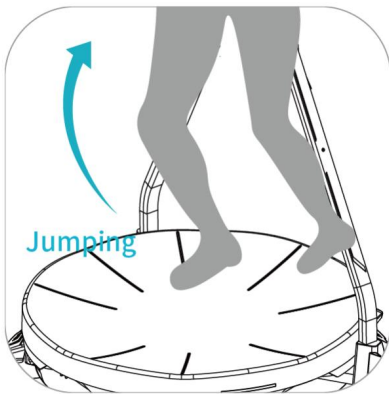


Practice Walking

- Pack up the anti-slip protection lock. - Stand straight with feet at the back of base as shown.
- Lean forward a little bit until you feel the shoe wheels start rolling.
- Take the first small step and slowly continue for practice. - Keep practice for a few minutes until you get used to the simulated gait.



Try to squat.



Practice Jumping

- Activate Jump with a natural jump.



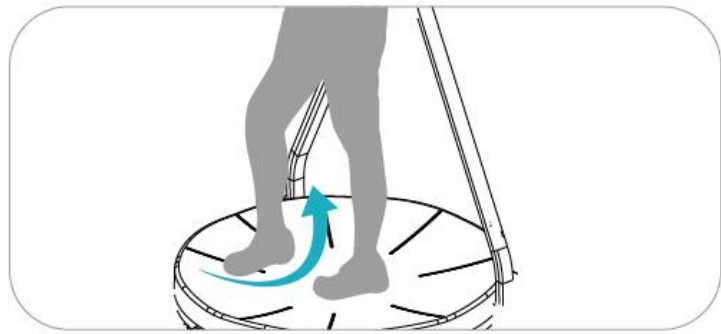
Practice Sprinting

- Activate sprint with a natural run.

How to do the "micro-operation"



- Single-foot micro-operation can achieve subtle movement in the corresponding direction.

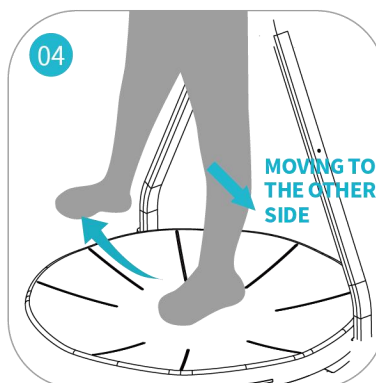
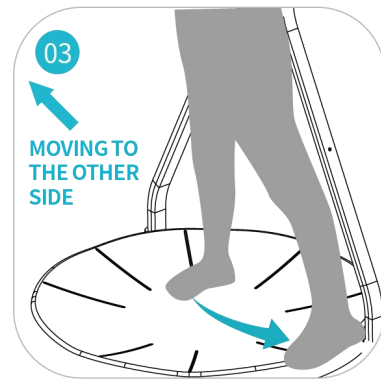


- To trigger continuous movement in all directions other than forward, stand still with one foot in the middle of the platform, slide the other foot from the outside of the platform into its middle (starting from direction you wish to move at), and raise it up above the platform.

- Movement will continue till the moment you step on the platform.

How to trigger the cruise mode

You may turn on or off the cruise mode which allows you to move continuously without walking. When 'on', you can trigger strafing by putting your foot on the platform, sliding it forward or backward and keeping in a stable position. continuous strafing to the sides can be triggered in a similar way.

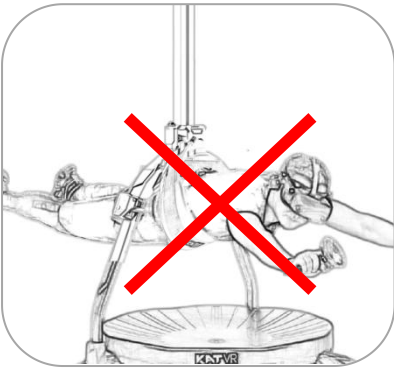


- The device can only be used for personal VR entertainment, and must not be applied for any other purposes. Avoid excessive use. The device has been strictly tested to ensure full safety and protection from flipping under normal conditions of use. However, if any sudden, large movement caused a large tilt of the device, immediately stop use to avoid safety hazards.

Product use prohibition

Avoid excessive use or actions not supported by the device such as hanging on the harness. The device has been strictly tested to ensure full safety and protection against flipping under normal conditions of use. However, if any sudden, large movement causes a significant tilt of the device, do not intentionally repeat or aggregate it in order to prevent safety hazards.

Examples of dangerous prohibited actions (including but not limited to the following):



Hanging, swimming or other dangerous actions on the product is prohibited.



Walking outside of the product with dedicated shoes is prohibited.



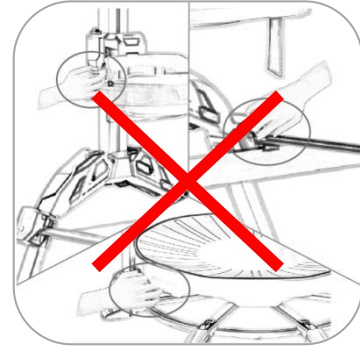
Using more than 3 drops of maintenance oil on the product base at one time is prohibited.



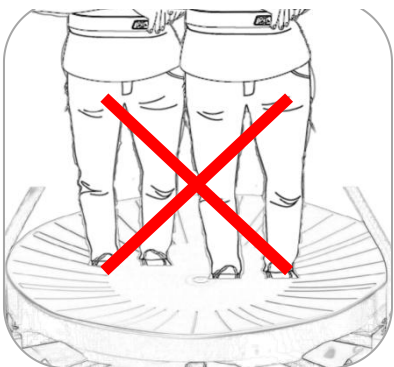
Using maintenance oil outside of the product is prohibited, Maintenance oil is not edible.



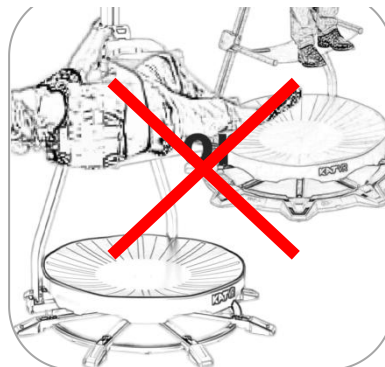
Placing hands near the moving parts or gaps of the product is prohibited.



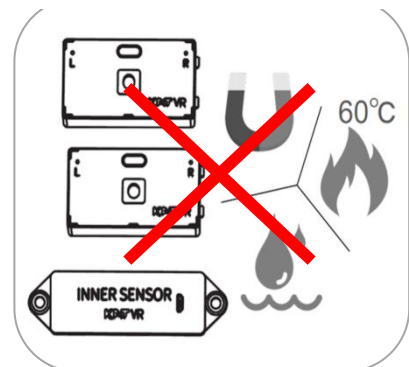
Standing on the product without fastening the waist belt is prohibited.



Having more than one person standing on the product is prohibited.



Standing or lying on the Vehicle hub is prohibited.



Bringing sensors near 60°C or higher heat sources, water, or strong magnets is prohibited.

Disassembly procedure

If you need to move your KAT Walk Coord 2 to another location, you should carry out the device disassembly in the reverse order to the device installation procedure. That is, pull out the USB cable from your PC, remove the waist harness and back support plate, and take out the support rods in order to ensure that the structure and components are not damaged during transportation.

After the disassembly, place the components into the original package and use the original materials to secure it for safe transportation. Ensure sufficient labor help to avoid injuries when moving the box and select a reliable logistics company to transport the device.

Component Maintenance

1. Before use, always ensure that the platform is wiped clean and free of any objects, substances or dust. Scratches on the platform surface are a natural result of wear and tear and will not influence the operation of the device.
2. Before use, always ensure that the soles of the dedicated shoes are clean and free of any substances or dust.
3. Before use, please check whether the surface of the laser head of the foot sensor is smooth and clean. If there is any foreign matter, please clean it, otherwise it will affect the use effect of the sensor.
4. Due to the ergonomic design of the device, the structure may generate sounds when the upper part is strongly pushed back or pulled forward - it is normal and to be expected.
5. Before use, always check the state of the device. Ensure there are no loose elements and all the screws are tightened. Conduct weekly checks of components which are prone to wear and tear over long periods of use, such as the waist harness.



If any component needs replacement, contact us at service@katvr.com.

6. Do not use strong cleaners or abrasives to avoid unnecessary wear and tear or even damage to the product. Before use, make sure that the equipment is completely dry.



In order to avoid damage to the surface or hidden safety hazards, it is strictly forbidden to apply any chemical agents or other liquids with the exception of the maintenance oil that comes with the device.

Contact Information

- Company: Hangzhou Virtual and Reality Technology Co., Ltd
- Add: 9th floor - Building 6, No.1818-2, West Wenyi Road - Yuhang Street, Yuhang District, Hangzhou City, Zhejiang Province, China
- Postal code: 311100
- Email: service@katvr.com
- Web: www.kat-vr.com/

KAT VR
www.kat-vr.com